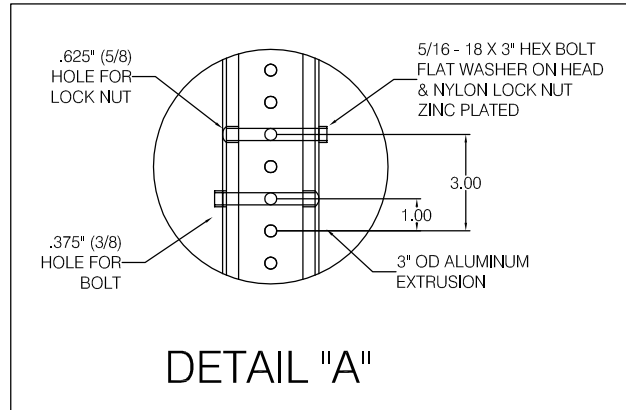


3" OD EXTRUDED FLUTED ALUMINUM TUBE UP TO 12'0" LONG .125 WALL

2" X 2" 12 GAUGE POST 36" LONG TELESPAR OR APPROVED EQUAL INSERTED MINIMUM 12" INTO STUB



TRAFFIC →

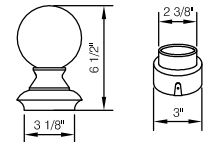
"A"

TUBE 3.5" ABOVE GRADE

STUB 2" ABOVE GRADE

2 1/2" X 2 1/2" 12 GAUGE POST 18" LONG TELESPAR OR APPROVED EQUAL

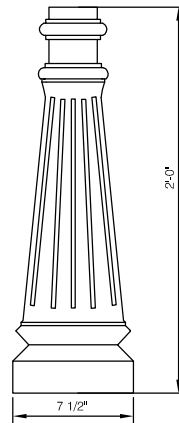
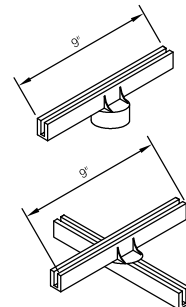
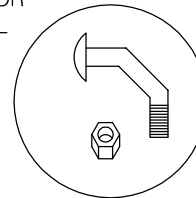
BOLT 2" X 2" POST TO STUB WITH 5/16-18" CORNER BOLT TELESPAR TL070 OR APPROVED EQUAL



TOP

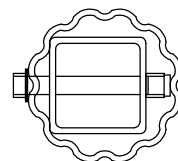
2 1/4" X 2 1/4" 12 GAUGE POST 36" LONG TELESPAR OR APPROVED EQUAL

6" DIAMETER CONCRETE FOUNDATION 34" DEEP



BASE

TRAFFIC →



POLE

BRACKETS



City of Papillion

Public Works Department
145 West Second Street
Papillion, NE 68046
Ph: 402-597-2043

Drawn By: DWG Checked By: JLT Issue Date: 06/20/14

City of Papillion Public Works Department

Sign Pole System

Revision Dates

No.	Description	Date

Sheet 2 of 2